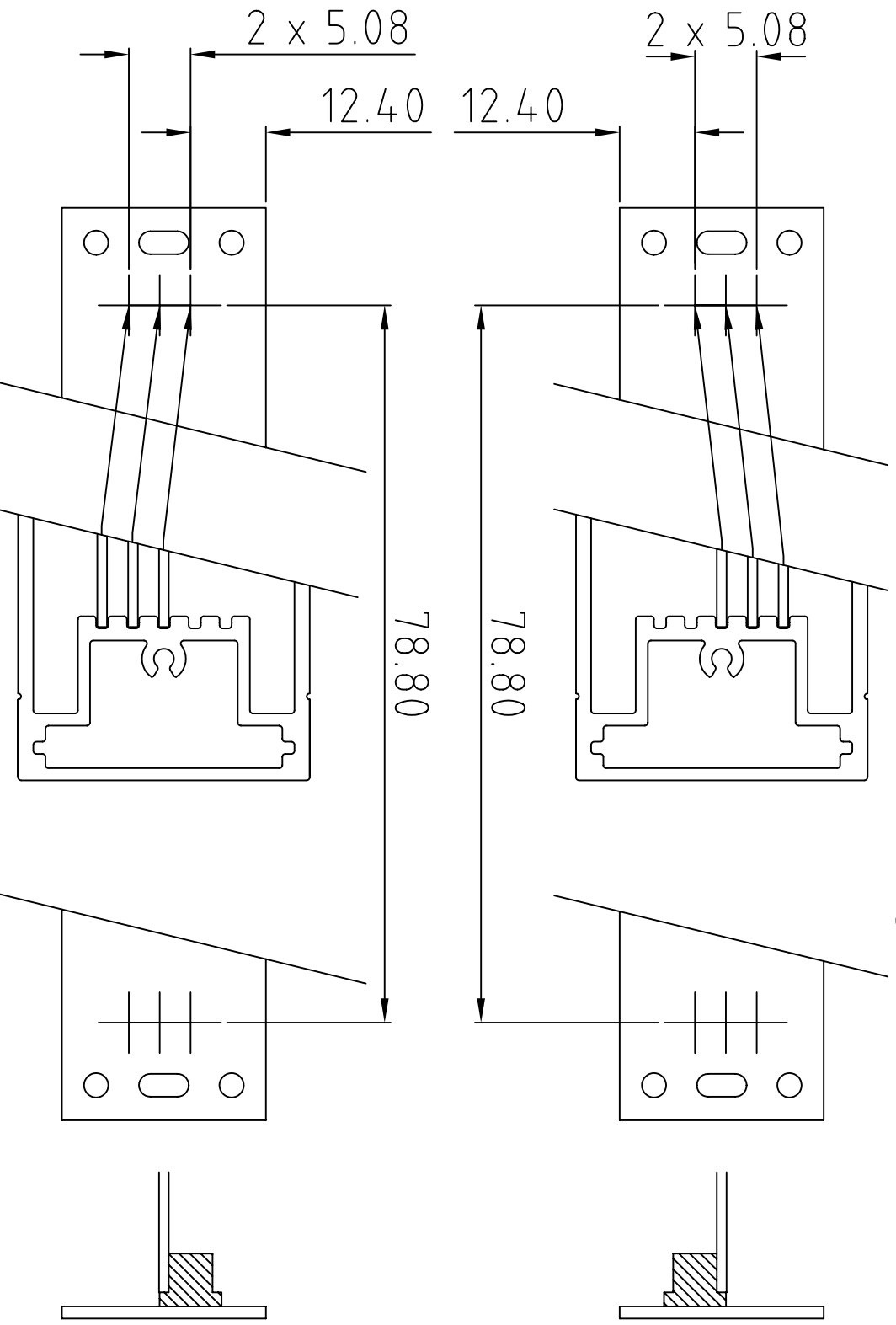


FIRST ANGLE PROJECTION

Note: Subject to technical modifications without prior notice.
 Typographical and other errors do not justify any claim for damages.
 All dimensions should be verified using the actual case.

Modifications

1



Tolerances unless otherwise stated:

- General tolerances ± 0.20
- Resultant tolerances between hole centers ± 0.15
- Tolerances on hole diameters ± 0.05
- Angles $\pm 0.5^\circ$
- Surface finish $32\sqrt{\text{ }}$

ALL DIMENSIONS IN MILLIMETRES

DO NOT SCALE



METCASE ENCLOSURES
 Unit 3, Mitchell Close
 Segensworth East, Fareham,
 Hampshire, PO15 5SE, UK

Part Name
 Eurocard Mounting Kit - Drilling Detail

Required Finish:	Scale:	Checked By:	Drawing Number:	Date drawn:	Material Spec:
General tolerances ± 0.20	Drawn by: Ian Cox		M5700017	August '05	
Resultant tolerances between hole centers ± 0.15					
Tolerances on hole diameters ± 0.05					
Angles $\pm 0.5^\circ$					
Surface finish $32\sqrt{\text{ }}$					
<p>OKW ENCLOSURES LTD. DATE AS SHOWN. THIS DRAWING CONTAINS PROPRIETARY INFORMATION OF OKW ENCLOSURES LTD AND IS TENDERED SUBJECT TO THE FOLLOWING CONDITIONS: THE INFORMATION BE RETAINED IN CONFIDENCE, NOT BE REPRODUCED OR COPIED, AND NOT BE USED OR INCORPORATED IN ANY PRODUCT, UNLESS PERMISSION IS OBTAINED IN WRITING FROM OKW ENCLOSURES LTD.</p>					
www.metcase.com					Part Number: M5700017
Sheet 1 of 1					A4