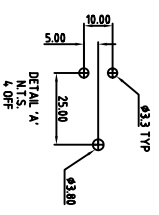
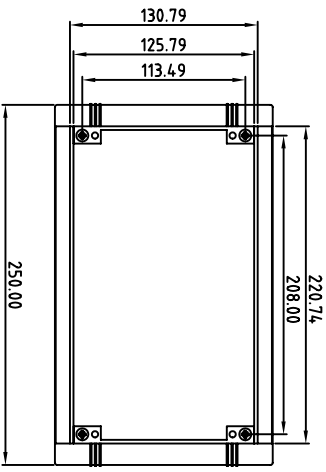
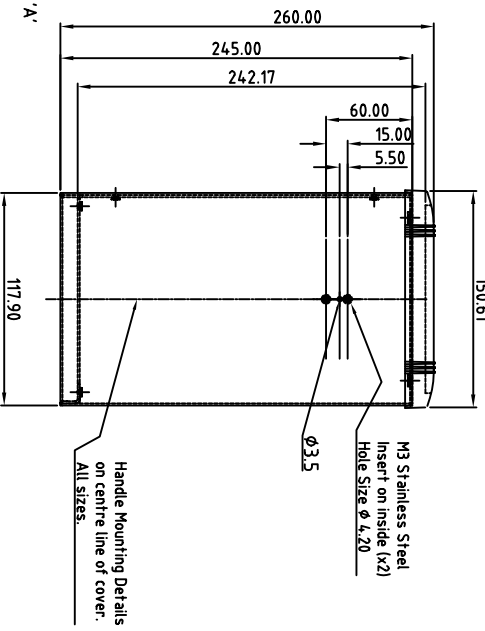
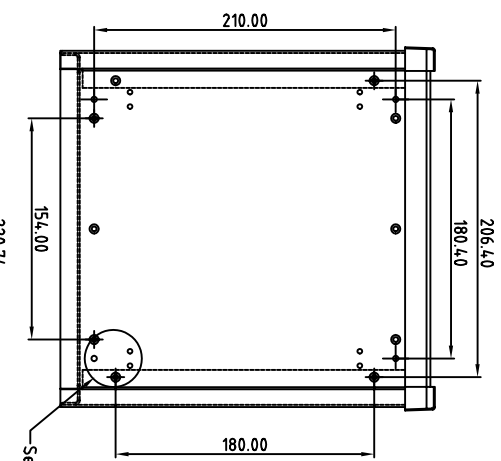
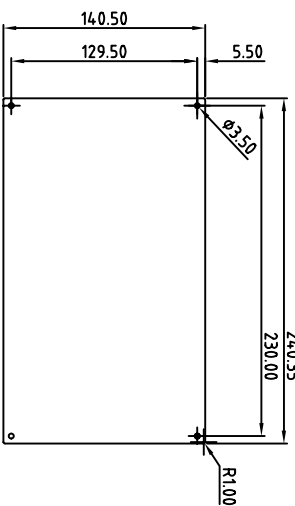
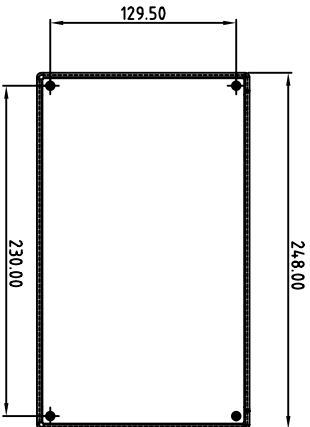


FIRST ANGLE PROJECTION



Note: Subject to technical modifications without prior notice. Typographical and other errors do not justify any claim for damages. All dimensions should be verified using the actual case.

Modifications

ISS

1

Tolerances unless otherwise stated:

- General tolerances ± 0.20
- Resultant tolerances between hole centers ± 0.15
- Tolerances on hole diameters ± 0.05
- Angles $\pm 0.5^\circ$
- Surface finish $3.2 \sqrt{\text{ }}$

Required Finish

Scale 1:5

Drawn by Ian Cox

Checked by

Drawing Number M5625325

Date drawn August '05

DO NOT SCALE

Material Spec

METcase

METCASE ENCLOSURES

Unit 3, Mitchell Close

Segensworth East, Fareham, Hampshire, PO15 5SE, UK.

Part Name UNIMET 5H

W.W.METCASE.COM

Part Number M5625325

Sheet 1 of 1

OWNERS: DATE AS SHOWN. THIS DRAWING CONTAINS PROPRIETARY INFORMATION OF OWNERS AND IS TENDERED SUBJECT TO THE FOLLOWING CONDITIONS: THE INFORMATION BE RETAINED IN CONFIDENCE, NOT BE REPRODUCED OR COPIED, AND NOT BE USED OR INCORPORATED IN ANY PRODUCT, UNLESS PERMISSION IS OBTAINED IN WRITING FROM OWNERS.

A4