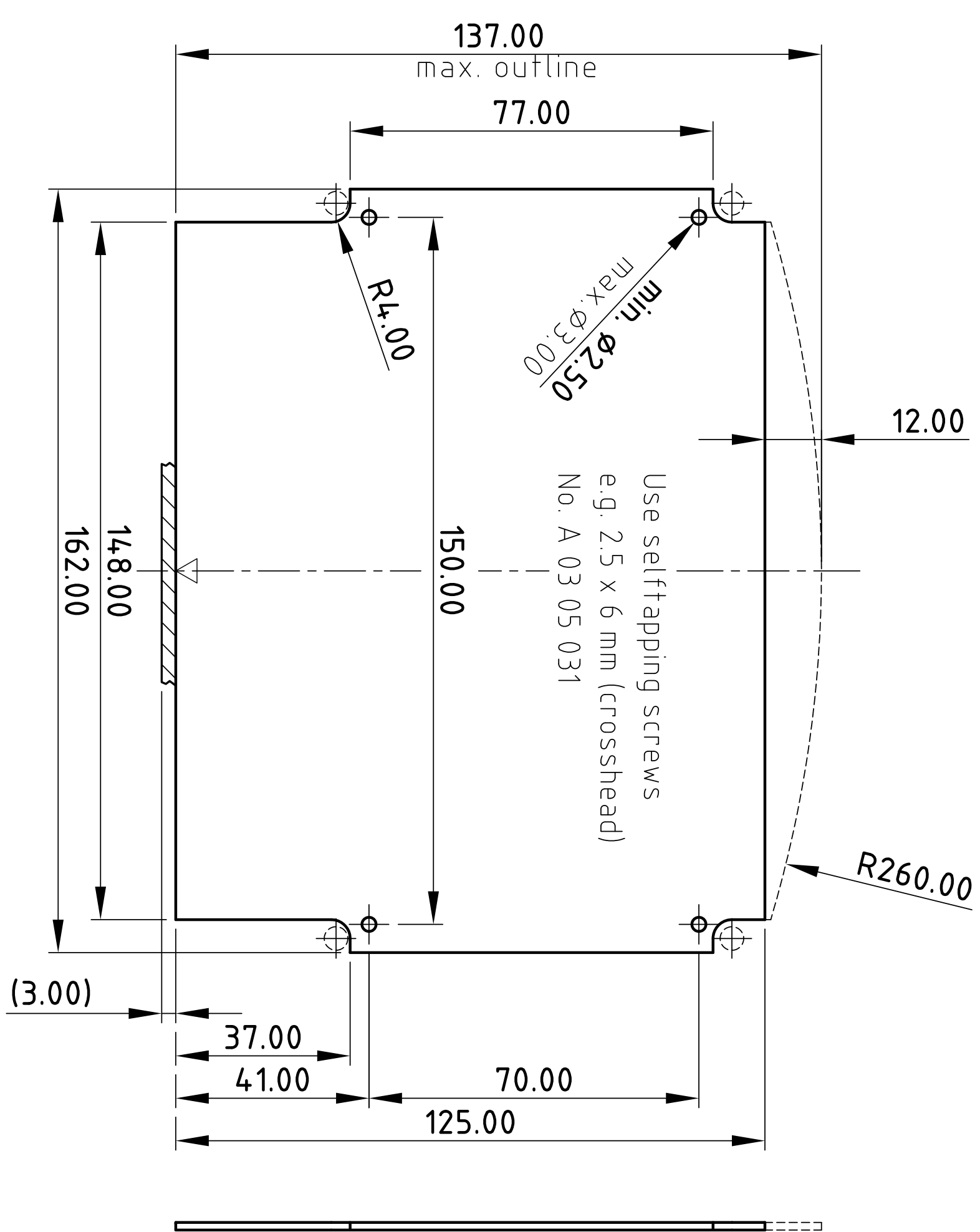
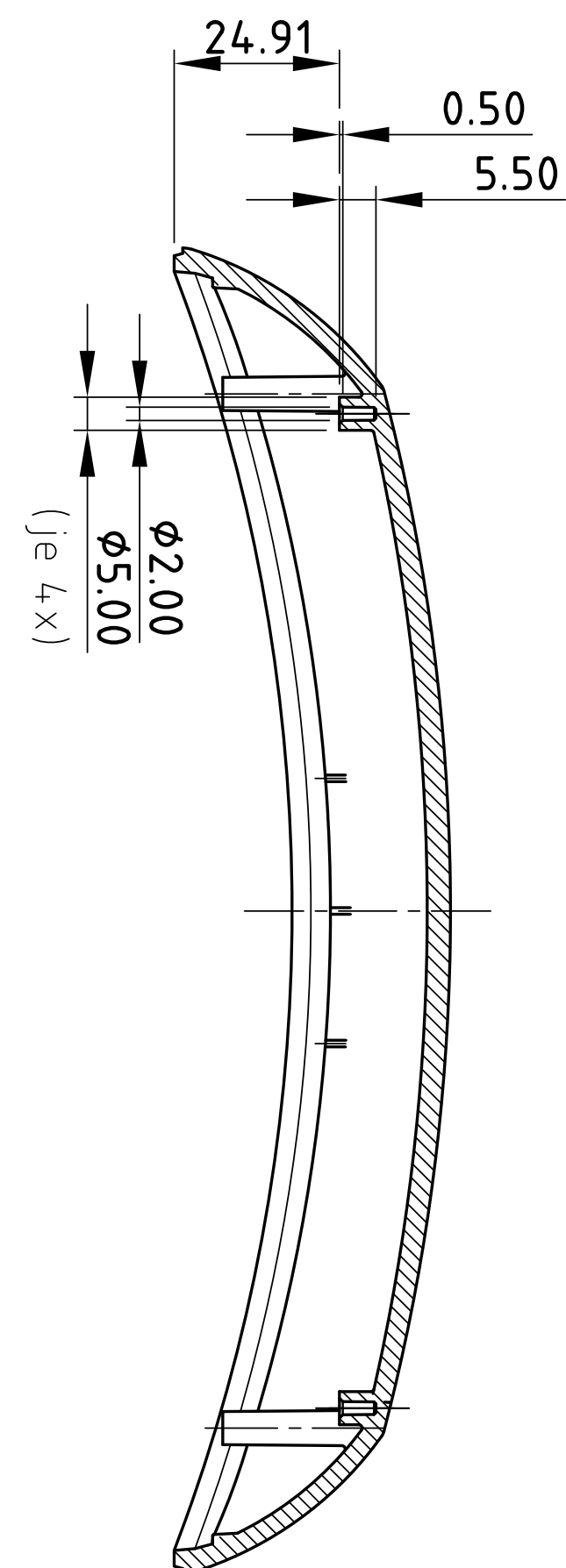


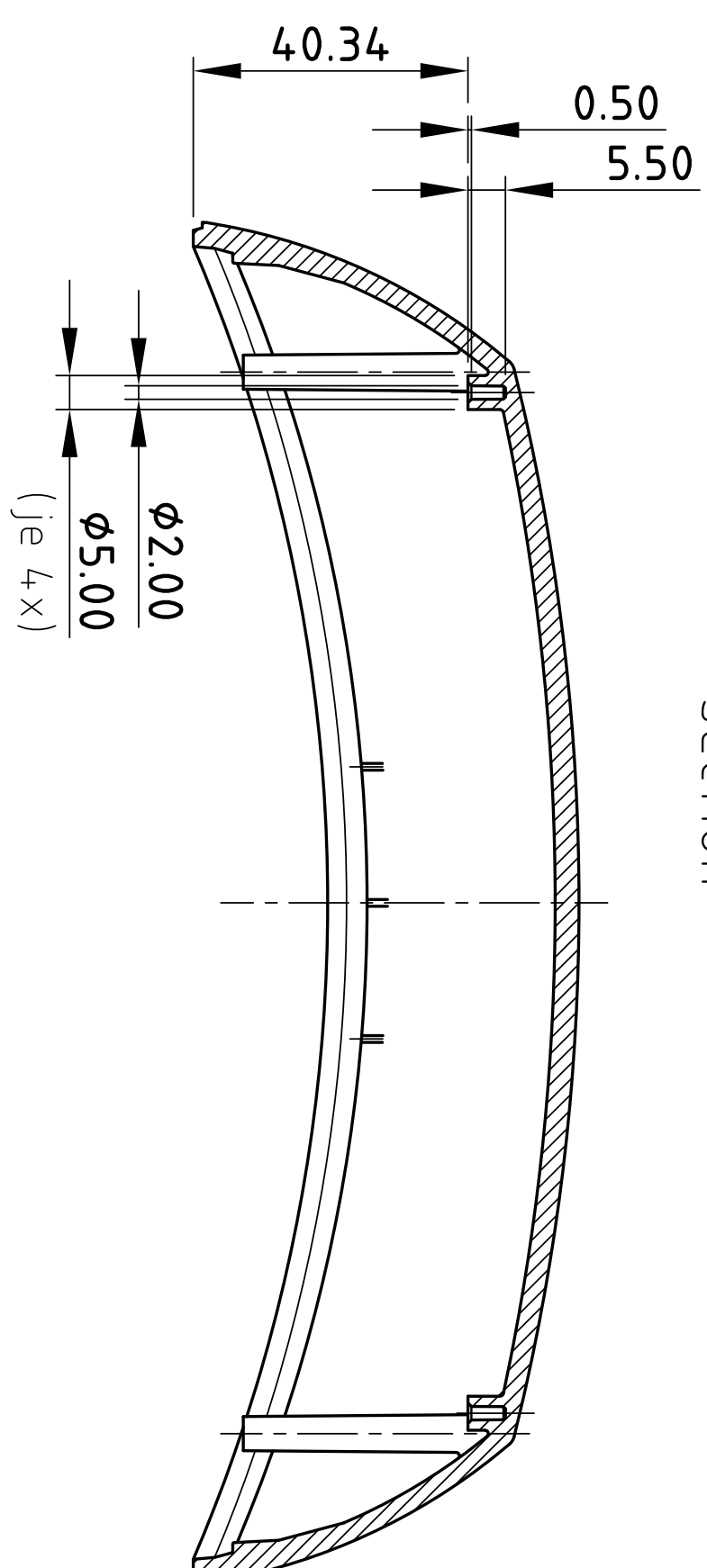
Platine fürs flache Oberteil  
PCB for the flat top



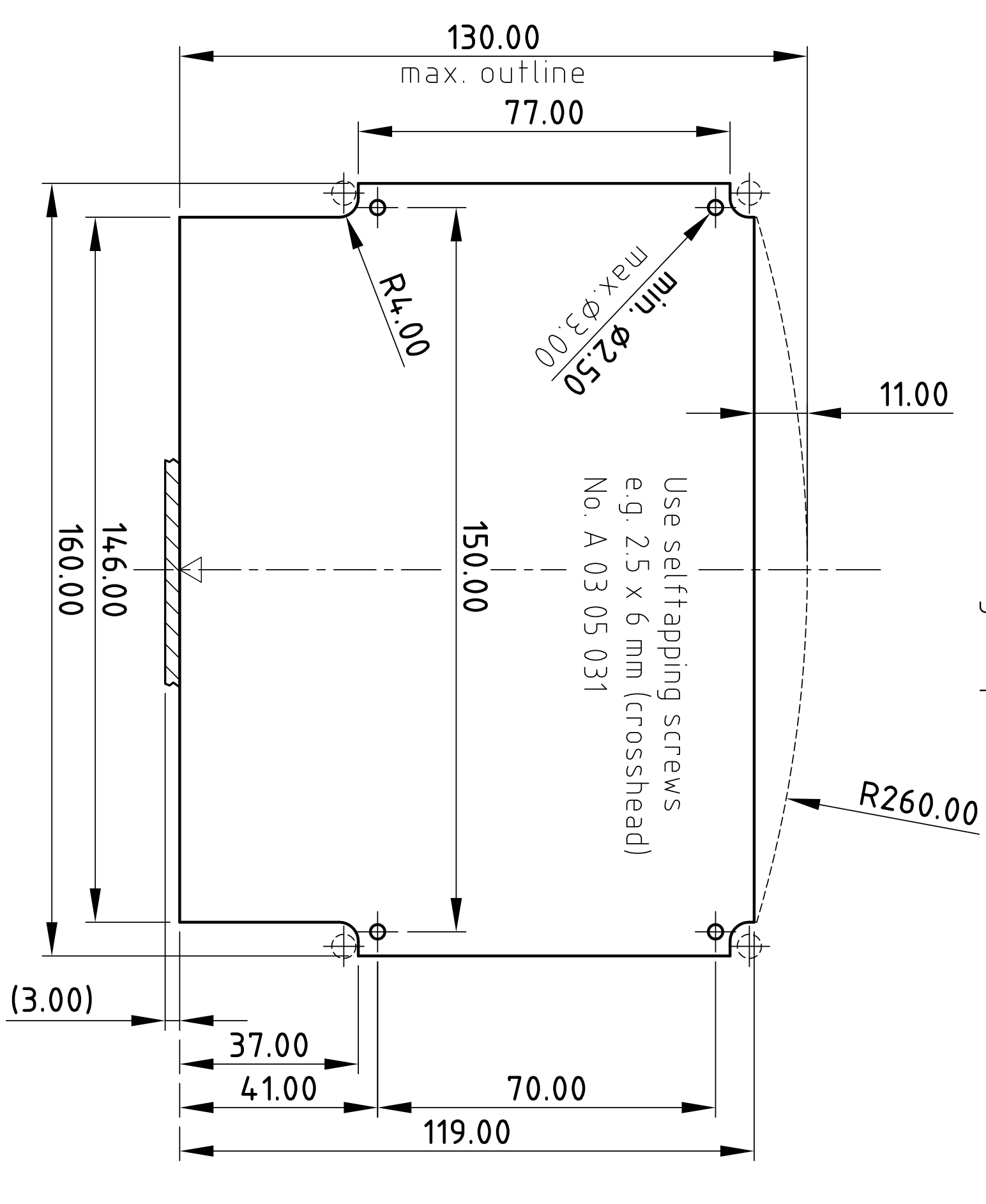
SCHNITT C-C  
section



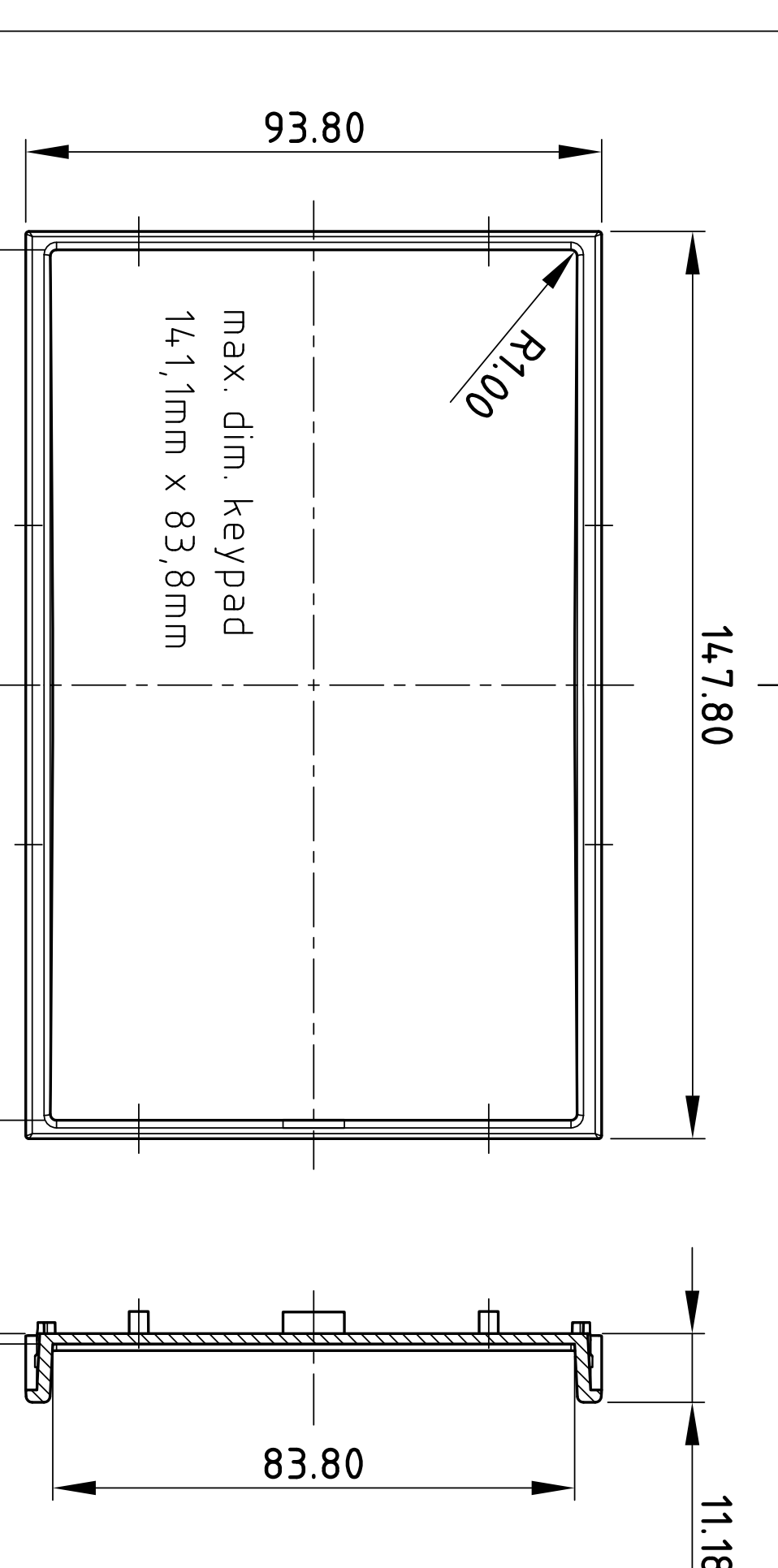
SCHNITT C-C  
section



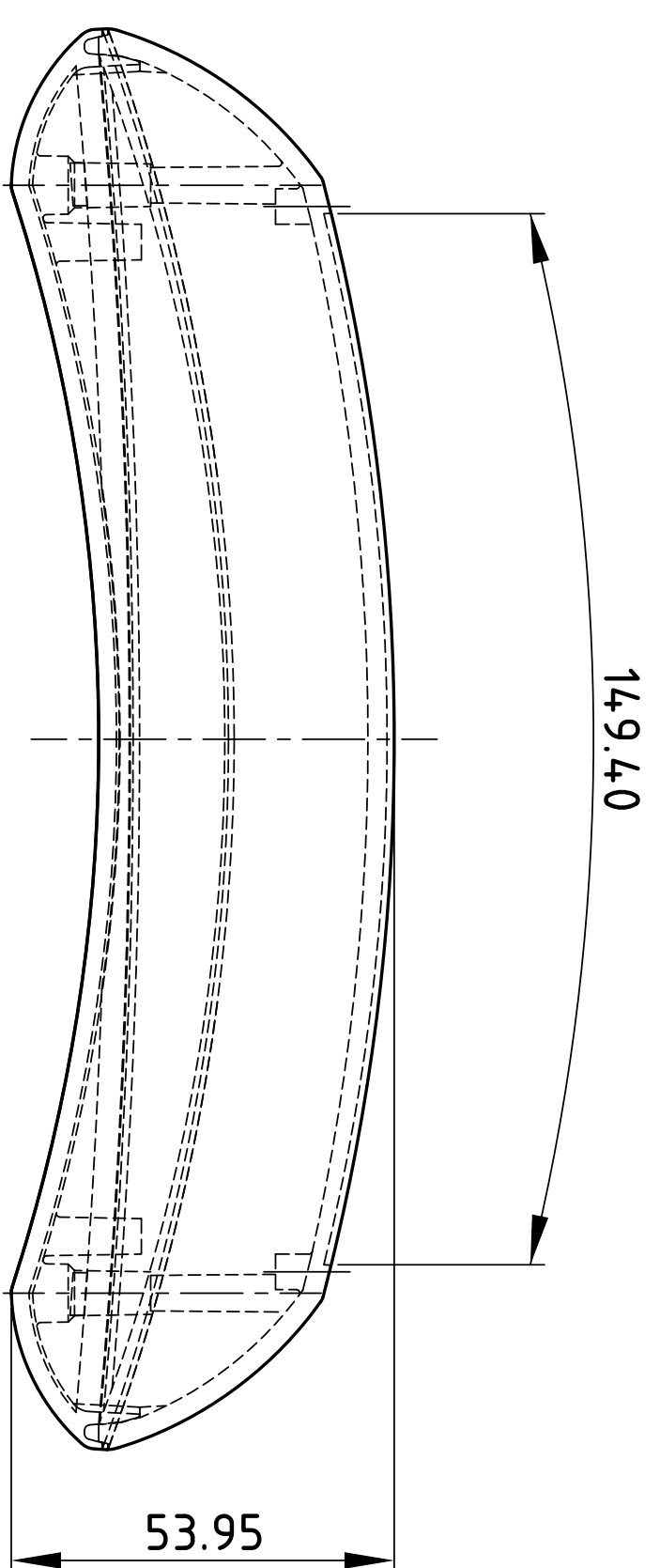
Platine fürs hohe Oberteil  
PCB for the high top



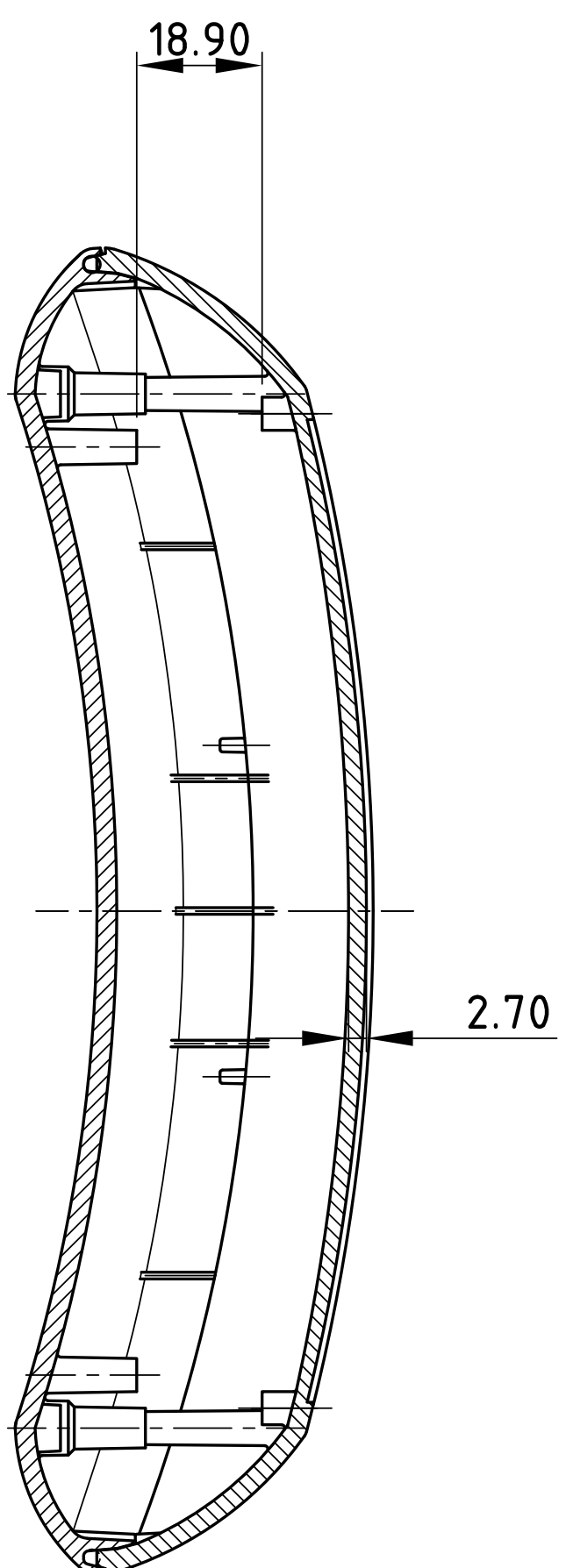
SCHNITT Z-Z  
section



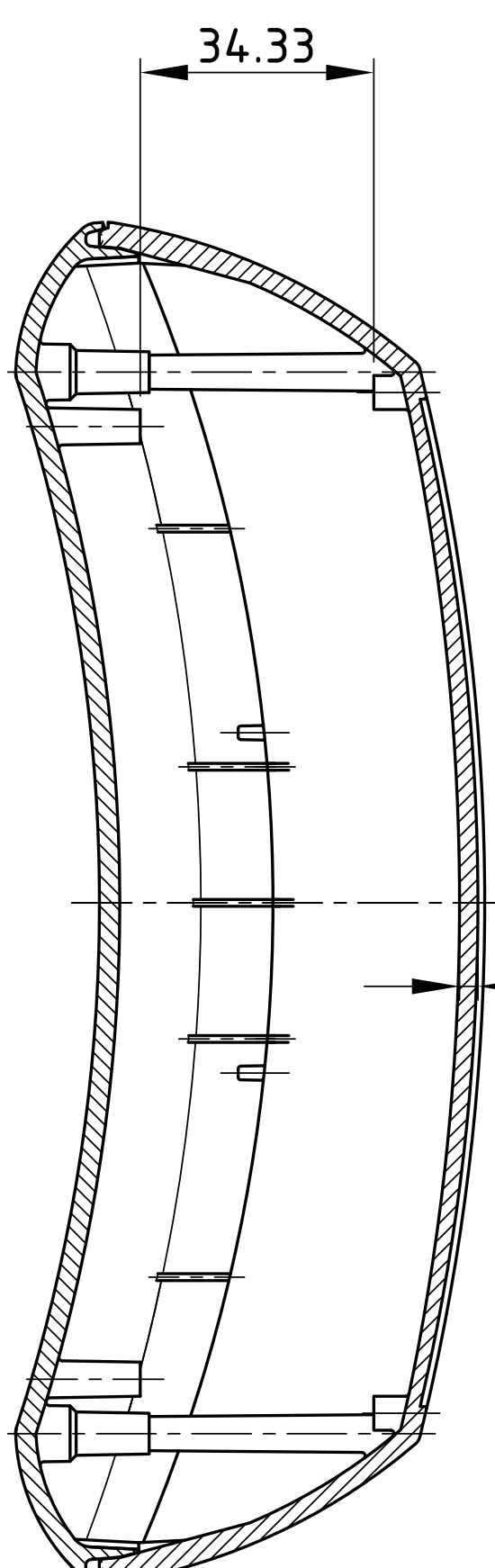
Displayblende  
Display trim



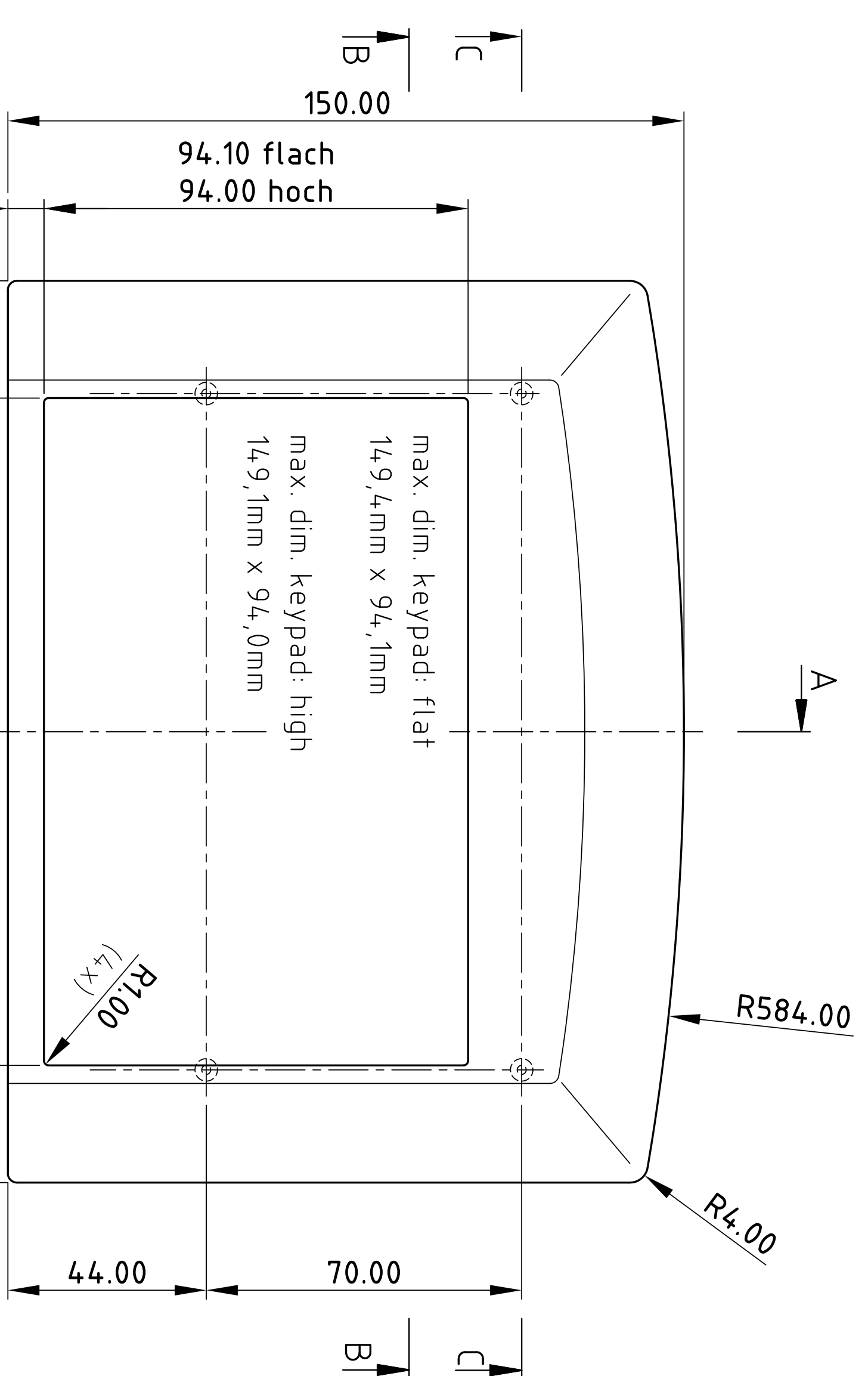
SCHNITT B-B  
section



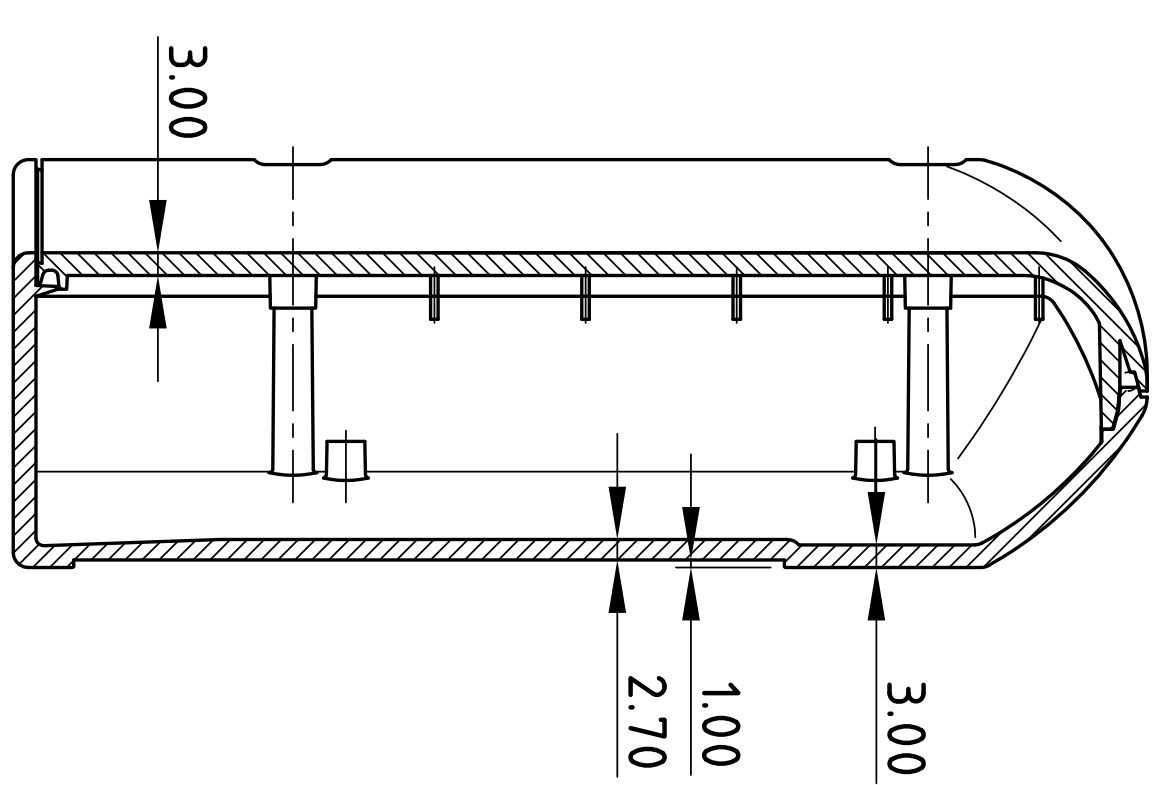
SCHNITT B-B  
section



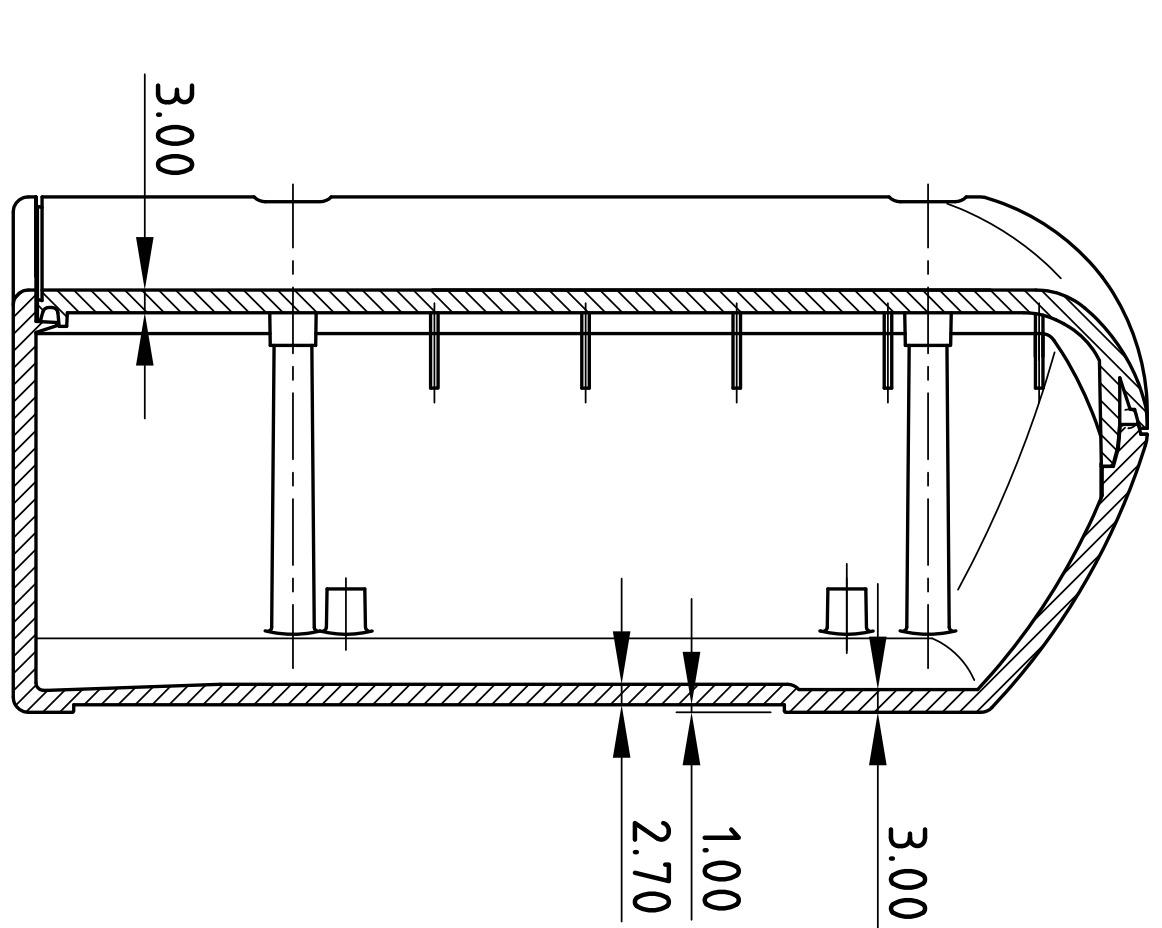
SCHNITT A-A  
section



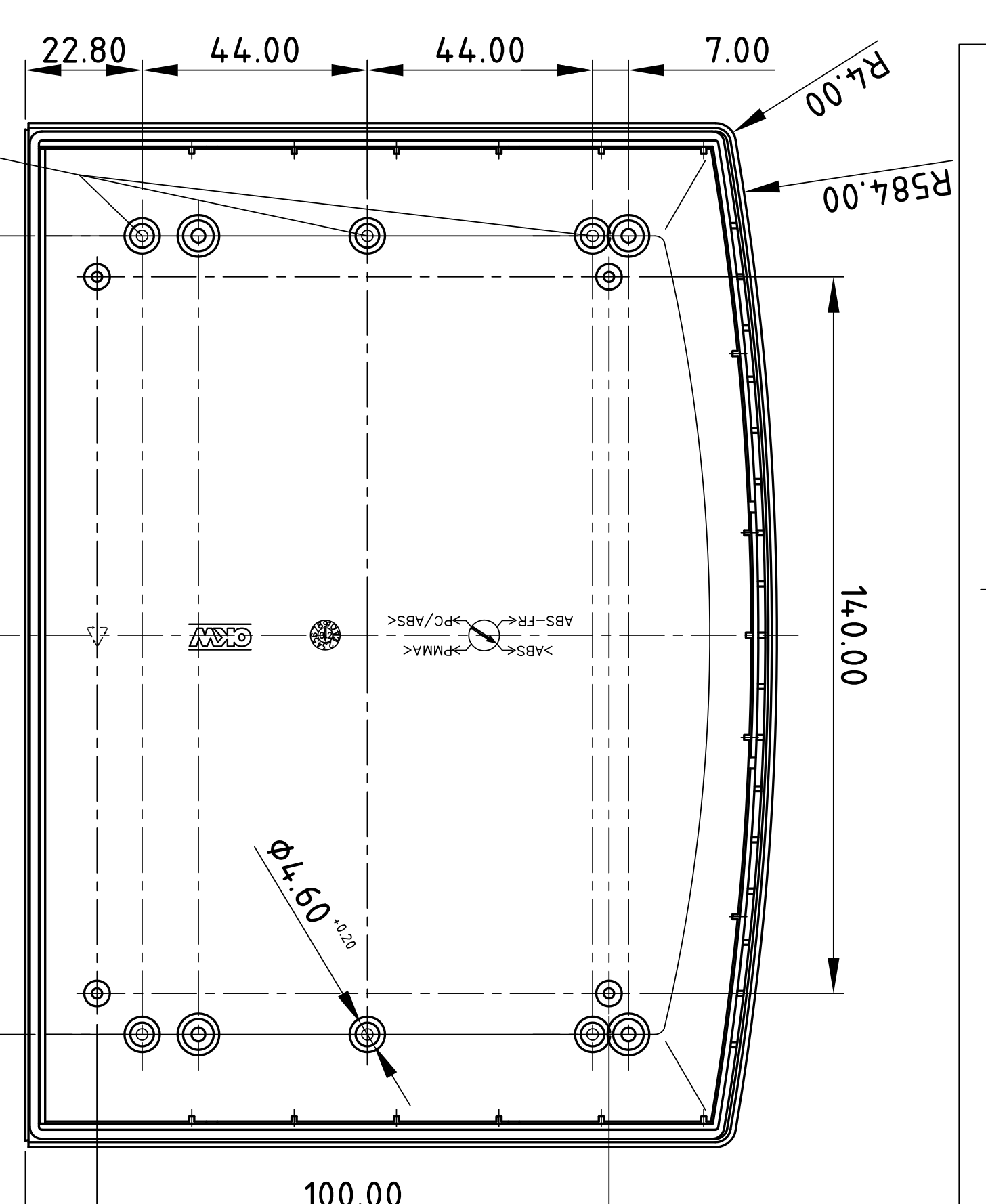
SCHNITT A-A  
section



SCHNITT A-A  
section



SCHNITT A-A  
section



vorgeformte Zentrierungen zum Durchbohren  
(für Gurtschlaufen-Befestigung)  
pre-shaped centers for boring through  
(for strap attachment)

Informational block containing technical details and company information:

- Informationen** (Information): Includes drawing title, version, and date.
- Geometrische Merkmale** (Geometric Features): Lists features like chamfered edges and hole positions.
- Material** (Material): Specifies the material used for the PCB.
- Herstellung** (Manufacturing): Includes manufacturing process and tolerances.
- Prüfung** (Inspection): Lists inspection methods and standards.
- Verpackung** (Packaging): Specifies packaging requirements.
- Handlung** (Action): Lists actions to be taken during production.
- Notizen** (Notes): Includes additional technical notes.
- Geometrische Merkmale** (Geometric Features): Lists features like chamfered edges and hole positions.
- Material** (Material): Specifies the material used for the PCB.
- Herstellung** (Manufacturing): Includes manufacturing process and tolerances.
- Prüfung** (Inspection): Lists inspection methods and standards.
- Verpackung** (Packaging): Specifies packaging requirements.
- Handlung** (Action): Lists actions to be taken during production.
- Notizen** (Notes): Includes additional technical notes.