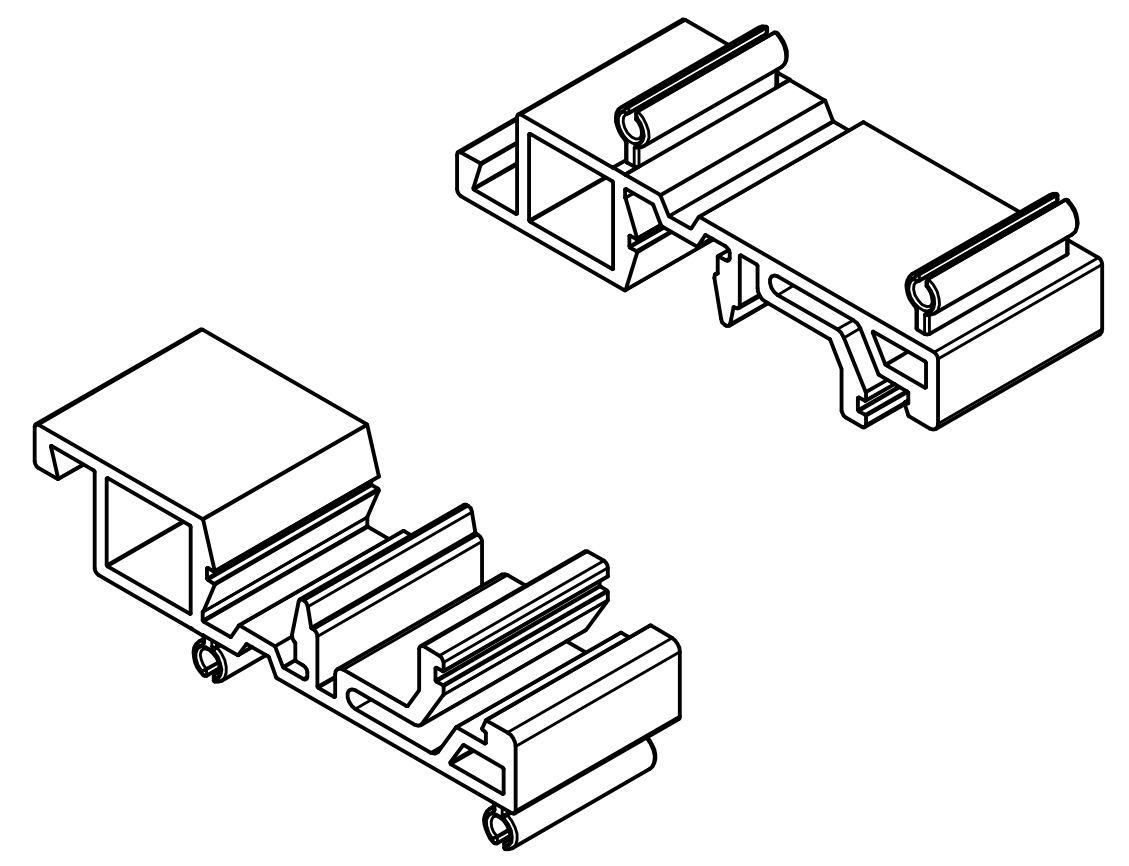
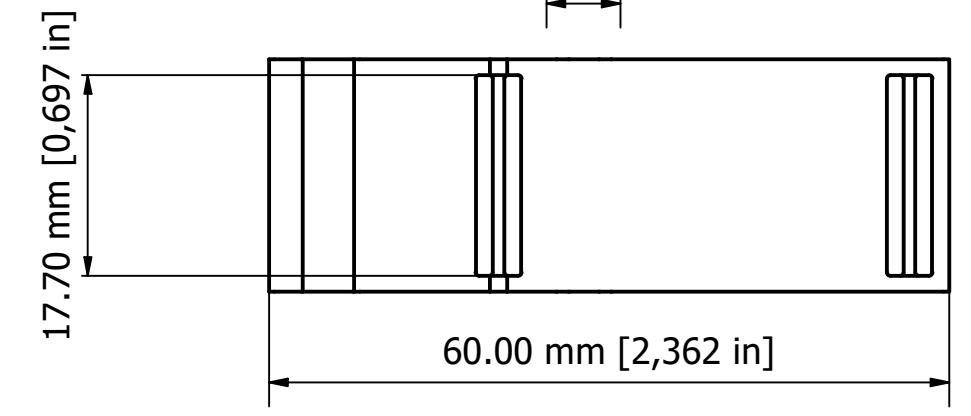
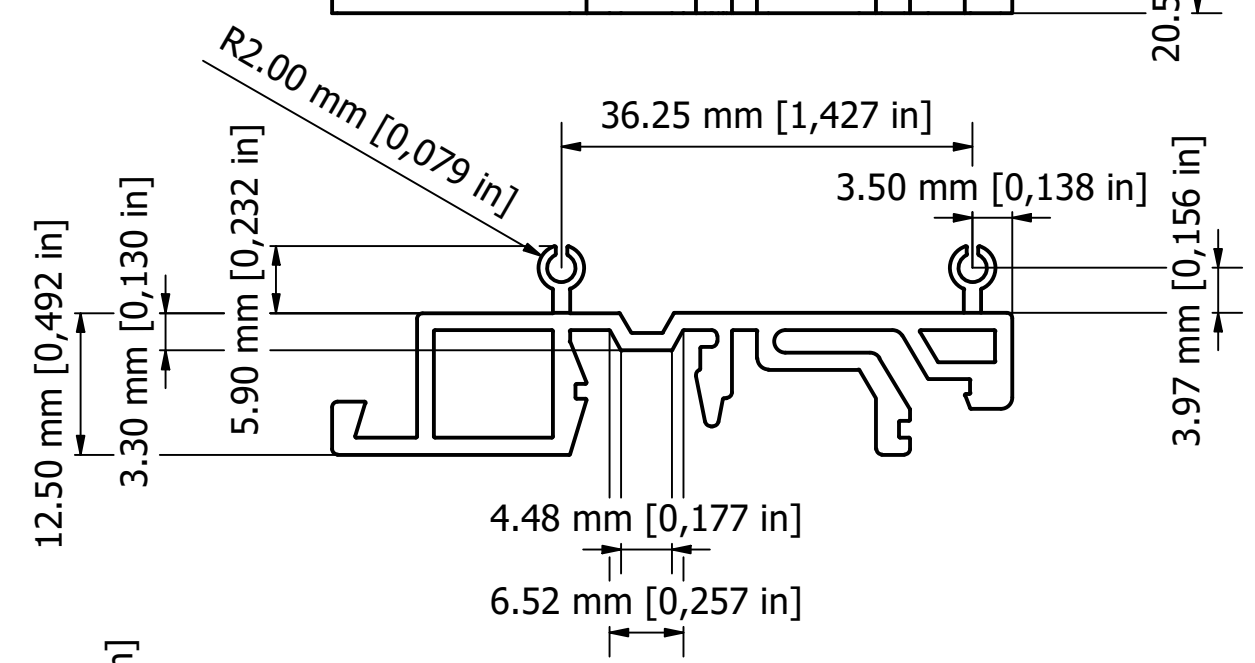
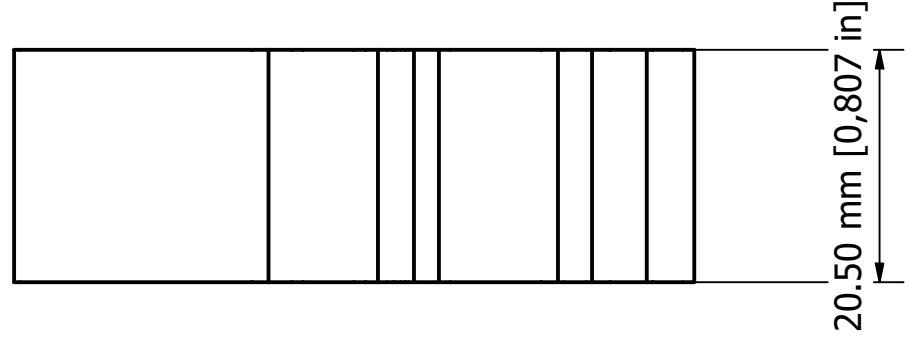


Notes
 For TH35 and G32 mm Rails.
 PCB Length: 72 mm
 Material: PA (UL94 V-0)



FIRST ANGLE PROJECTION

Designed by L Clark	Description Railtec Din Rail Supports	Date 14/01/2025	Scale 1.5:1
OKW ENCLOSURES LTD 15 Brunel Way, Segensworth East, Fareham, Hampshire, UK. PO15 5TX Tel: +44 (0)1489 583858 Email: sales@okw.co.uk		www.okw.co.uk	
Part Number CIME/M/FE0000E		Issue 2	Sheet 1 / 1

© OKW Enclosures Ltd (Date as shown). This drawing contains proprietary information of OKW Enclosures Ltd and is tendered subject to the following conditions. The information be retained in confidence, not be reproduced or copied, and not be used or incorporated in any product, unless permission is obtained in writing from OKW Enclosures Ltd.